

ELECTRICAL ACTIVATION

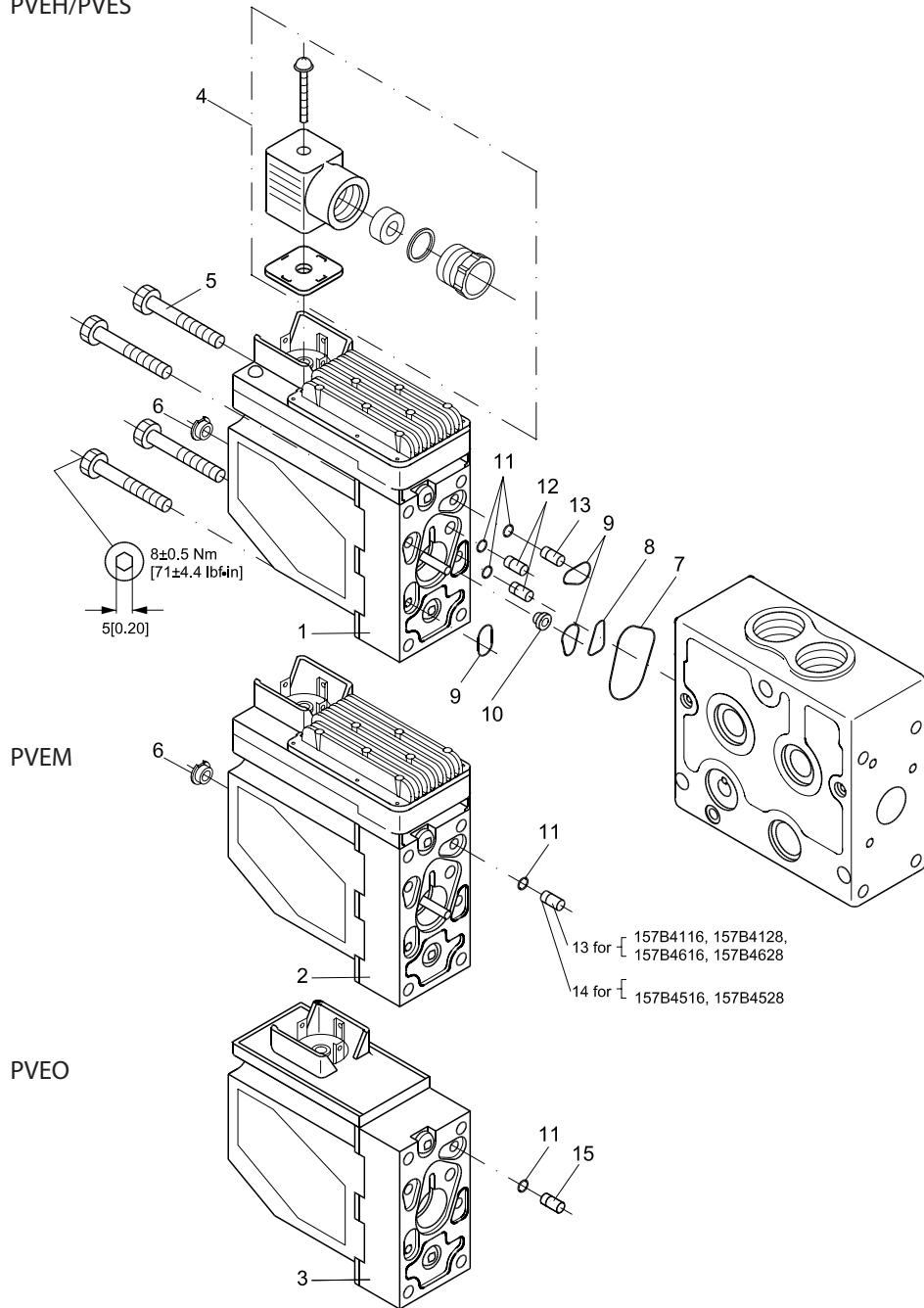
**PVES,
PROPORTIONAL SUPER**

**PVEH,
PROPORTIONAL HIGH**

**PVEM,
PROPORTIONAL MEDIUM**

PVEO, ON-OFF

PVEH/PVES



157-256.10.10

ELECTRICAL ACTIVATION

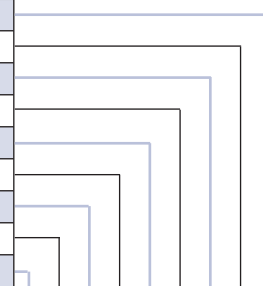
**PVES,
 PROPORTIONAL SUPER**

**PVEH,
 PROPORTIONAL HIGH**

**PVEM,
 PROPORTIONAL MEDIUM**

PVEO, ON-OFF

Type		Code No.	
		12 Volt	24 Volt
PVES	0% hysteresis (proportional)	157B4816	157B4828
PVEH	Standard (proportional)	157B4016	157B4028
	Passive fault monitoring (proportional)	157B4086	157B4088
	Float position (proportional)	157B4316	157B4328
PVEM	Standard (proportional)	157B4116	157B4128
	With Ø0.5 [0.02 in] orifice	157B4516	157B4528
	Fast version	157B4616	157B4628
	Float position (proportional)	157B4416	157B4428
PVEO	Standard (on - off)	157B4216	157B4228



Item	Description	Code No.																	
1	PVES assembly	-																	1
	PVEH assembly	-																	1
2	PVEM assembly	-		1	1	1	1												
3	PVEO assembly	-	1																
4	El-plug, DIN 43650	white, PG 11	984L3286	1	1	1	1	1	1	1	1	1	1	1	1	1	1	1	1
		black, PG 9	984L3156	1															
5	Screw M6; L = 33 [1.30 in]	681X0143	4	4	4	4	4	4	4	4	4	4	4	4	4	4	4	4	4
6	Plug	155U2779		1	1	1	1	1	1	1	1	1	1	1	1	1	1	1	1
7*	O-ring Ø2.5 × 30.0 [0.10 × 1.18 in]	633B0241		1	1	1	1	1	1	1	1	1	1	1	1	1	1	1	1
8*	O-ring Ø2.0 × 8.0 [0.08 × 0.35 in]	633B1056		1	1	1	1	1	1	1	1	1	1	1	1	1	1	1	1
9*	O-ring Ø2.0 × 10.0 [0.08 × 0.39 in]	633B1461		3	3	3	3	3	3	3	3	3	3	3	3	3	3	3	3
10	Filter	155G4710		1	1	1	1	1	1	1	1	1	1	1	1	1	1	1	1
11*	O-ring Ø1.0 × 4.0 [0.04 × 0.16 in]	633B0204		3	3	3	3	3	3	3	3	3	3	3	3	3	3	3	3
12	Check valve	155U6780		2	2	3	3	2	2	2	2	2	2	2	2	2	2	2	2
13	Orifice Ø1.0 [0.04 in]	155U6618				1	1	1	1	1	1	1	1	1	1	1	1	1	1
14	Orifice Ø0.5 [0.02 in]	155U6616					1												
15	Orifice Ø0.8 [0.03 in]	155U6617		1															
*	Set of seals (see page 50)	157B4997		1	1	1	1	1	1	1	1	1	1	1	1	1	1	1	1

