

D-serie

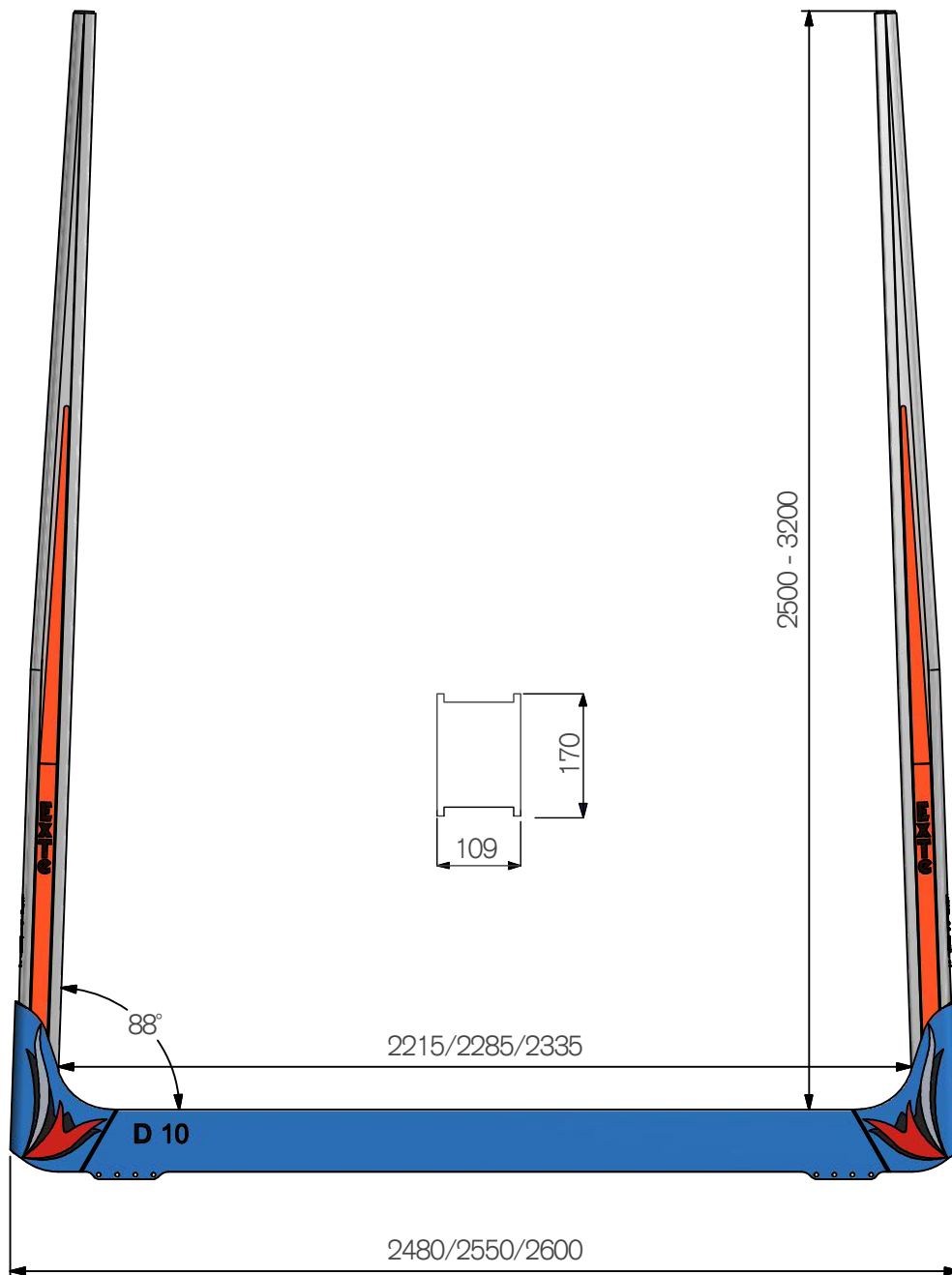
D10

Teknisk Data / Technical Details / Technische Daten

Max. Lastkapacitet 10 Ton

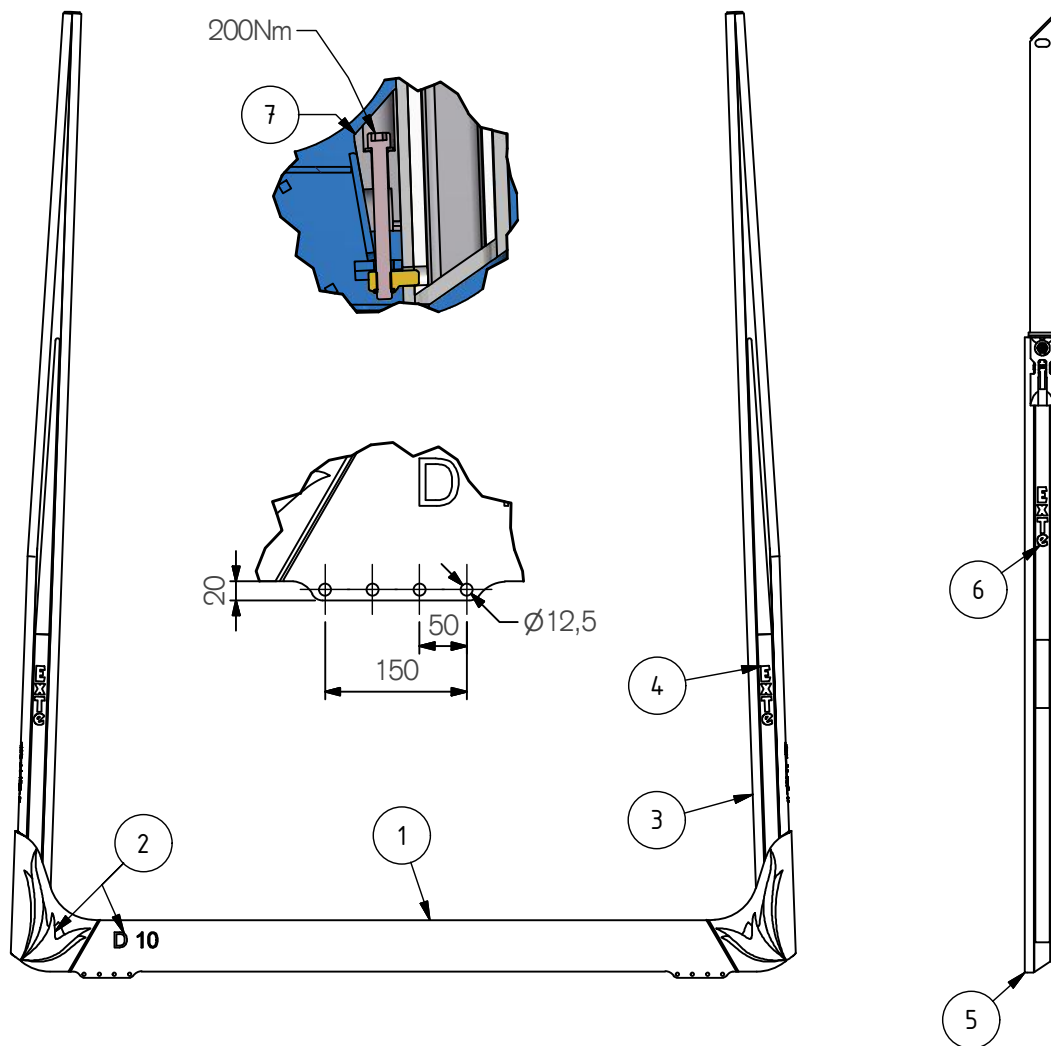
Max. Load Capacity 10 Ton

Max. Beladepazität pro Schemel beträgt: 10 Tonnen



ExTe

Securing cargo. We invented the concept.



Pos.	Art.nr	Benämning	Description	Bezeichnung	Weight	Wedge
1	810405	Stomme 2550mm	Bolster 2550mm	Schemelkörper 2550mm	69kg	
1	810408	Stomme 2480mm	Bolster 2480mm	Schemelkörper 2480mm	67,5kg	
1	810400	Stomme 2600mm	Bolster 2600mm	Schemelkörper 2600mm	70kg	
2	803043	Dekalsats Mörk Stomme	Dekal Kit Dark Bolster	Dekorstreifen Dunkel Schemelkörper		
2	803038	Dekalsats Silver Stomme	Dekal Kit Silver Bolster	Dekorstreifen Silber Schemelkörper		
2	803034	Dekalsats Blå Stomme	Dekal Kit Blue Bolster	Dekorstreifen Blau Schemelkörper		
3	801757	Stake D10 3150mm	Stake D10 3150mm	Runge D10 3150mm	36,7kg	810196
3	801756	Stake D10 3200mm	Stake D10 3200mm	Runge D10 3200mm	37,2kg	810196
3	801758	Stake D10 3100mm	Stake D10 3100mm	Runge D10 3100mm	36,2kg	810196
3	801759	Vakant	Vacant	Frei		
3	801764	Stake D10 2600mm	Stake D10 2600mm	Runge D10 2600mm	28,6kg	810196
3	801763	Stake D10 2700mm	Stake D10 2700mm	Runge D10 2700mm	29,4kg	810196
3	801762	Stake D10 2800mm	Stake D10 2800mm	Runge D10 2800mm	30,4kg	810196
3	801761	Stake D10 2900mm	Stake D10 2900mm	Runge D10 2900mm	31,2kg	810196
3	801760	Stake D10 3000mm	Stake D10 3000mm	Runge D10 3000mm	32,2kg	810196
4	803065	Dekalsats D-stakar	Dekal Kit D-stakes	Dekorstreifen D-runge		
5	810246	Stake Teleskop 3000mm	Teleskopisk Stake 3000mm	Teleskoprunge 3000mm	33,96kg	810196
6	810157	Dekalsats Teleskopstake	Dekal Kit Teleskopisk Stake	Dekorstreifen Teleskoprunge		
7	810196	Låselement D-Serien	Wedge D-Series	Keil D-Serie	1,45kg	

ExTe

Securing cargo. We invented the concept.

ExTe Fabriks AB, SE-820 41 Färila Sweden. Tel: +46 (0)651 175 00. Fax: +46 (0)651 175 03. E-mail: info@exte.se www.exte.se