

HULTDINS Damping System



This publication contains installation instructions for Hultdins damping system, HDS. If doubt should arise concerning the validity of the instructions, please consult the nearest dealer for more detailed information.

Illustrations, technical information and specifications were, as far as we have been able to judge, correct at the time of print. However, we reserve the right to, without prior notice, revise specifications, instructions, equipment, etc. as a result of ongoing product improvement activities.

No part of this publication may without approval of HULTDIN SYSTEM AB be translated, reproduced, stored or transmitted electronically, mechanically, photographically or in another way not specified here.

Even if all conceivable measures have been taken to make the contents as complete as possible, HULTDIN SYSTEM AB takes no responsibility for possible damages that may arise as a result of the instructions not being followed or improper use of the product.

 **Important!**

The parts and components used in HULTDIN SYSTEM AB's products are specifically chosen. Therefore original spare parts are always the best alternative in a possible need of repairs or upgrading.

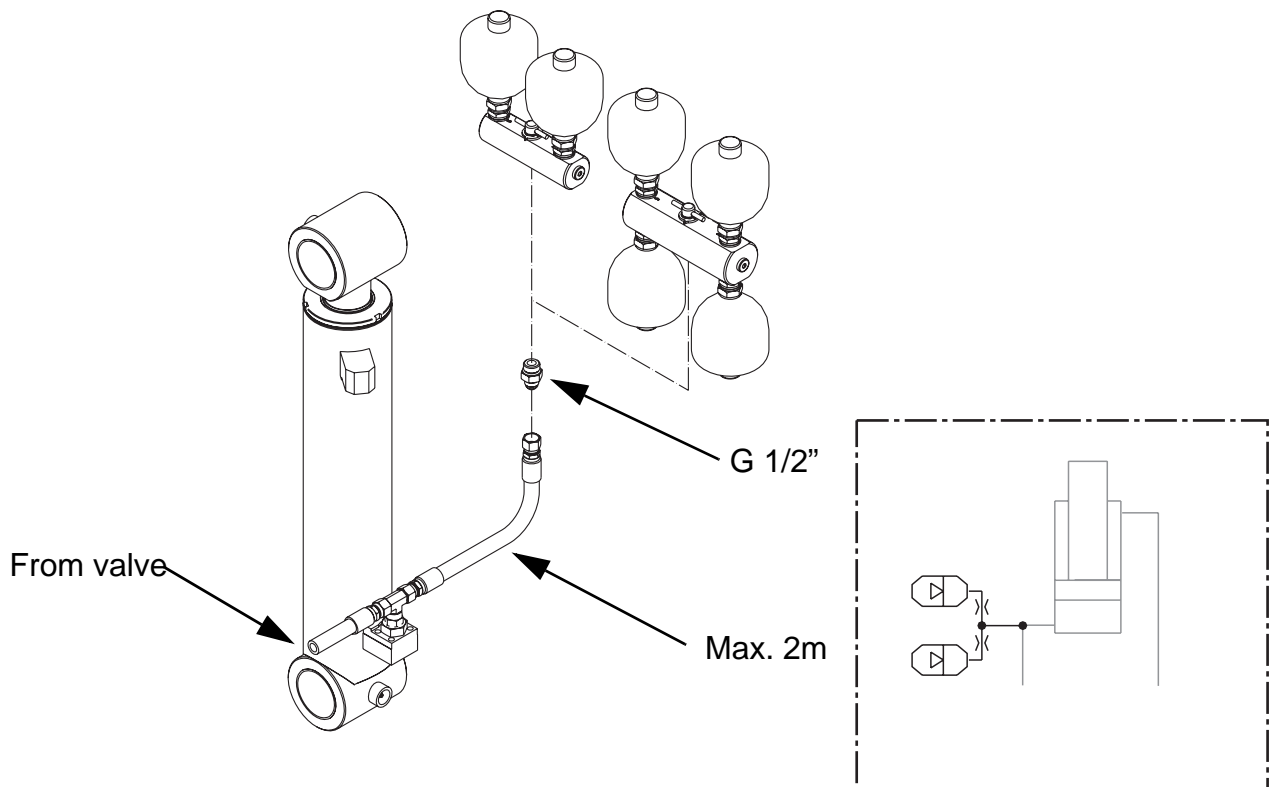
 **Warning!**

All service and repairs should be performed by qualified personnel only

This publication is released by: HULTDIN SYSTEM AB
Skolgatan 12
SE -930 70 Malå
SWEDEN

Contents	Page	Contents	Page
Installation of LD damper	4		
Best location	4		
Hydraulic system requirements	4		
Installation of SD damper	5		
Hydraulic installation	5		
Best location	5		
Hydraulic system requirements	5		
Mechanical installation	6		
Recommended location	6		
Auxiliary equipment	7		
Installation of electrical shut-off valve	7		
Description	7		
Installation	7		
Installation of electrical float-position valve	8		
Description	8		
Installation	8		

Installation of LD damper



Best location

Install the damper close to the hydraulic cylinder.

(Alt. the damper can also be installed close to the hydraulic valve).

Note! The damper should be installed so that the hydraulic hoses to the damper are made as short as possible - preferable not longer than 2 meters.

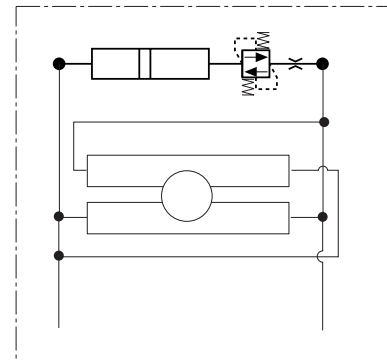
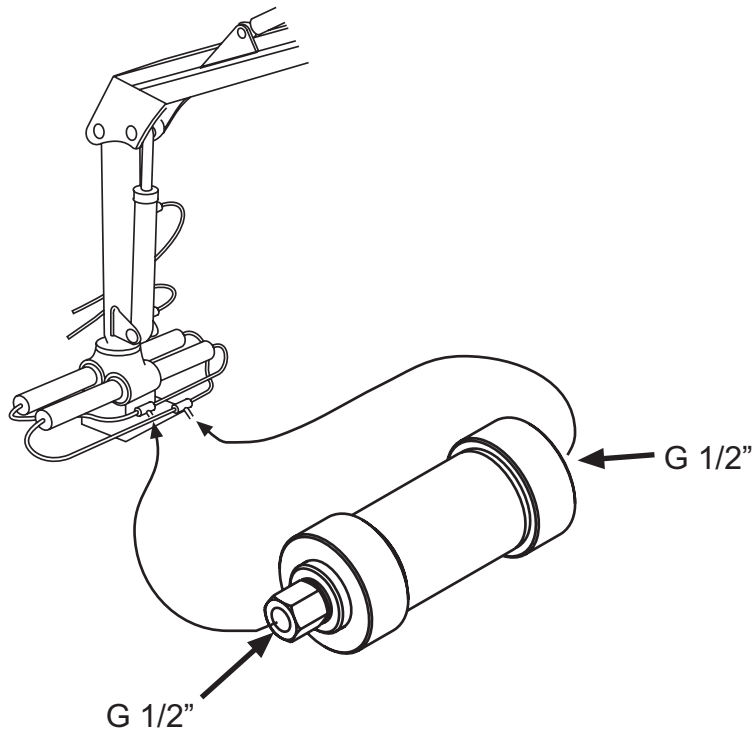
Hydraulic system requirements

The damper may not work properly if there are any restrictions installed between the damper and the cylinder.

If possible, move all such restrictions closer to the hydraulic valve.

Installation of SD damper

Hydraulic installation



Best location

Install the damper close to the hydraulic cylinder.

(Alt. the damper can also be installed close to the hydraulic valve).

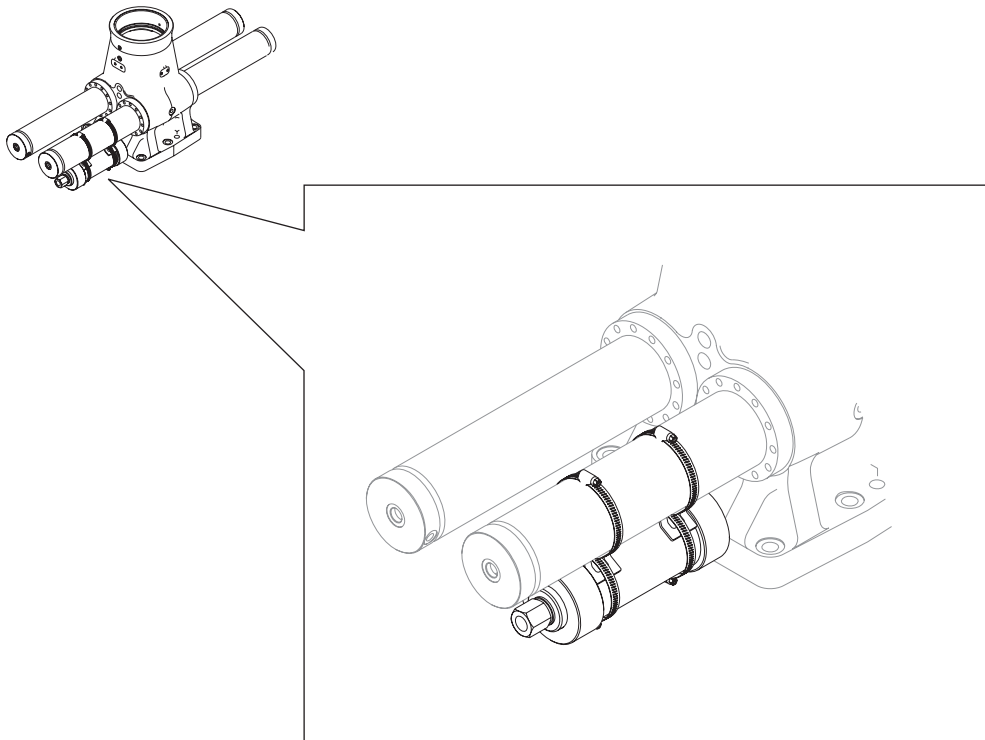
Note! The damper should be installed so that the hydraulic hoses to the damper are made as short as possible - preferable not longer than 2 meters.

Hydraulic system requirements

The damper may not work properly if there are any restrictions installed between the damper and the cylinder.

If possible, move all such restrictions closer to the hydraulic valve.

Mechanical installation

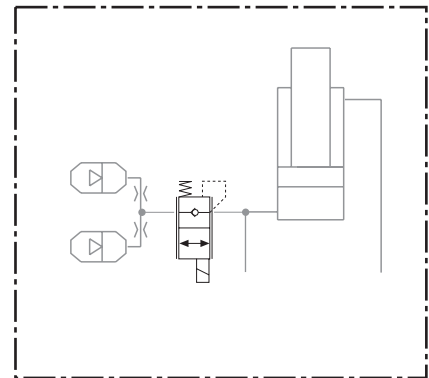
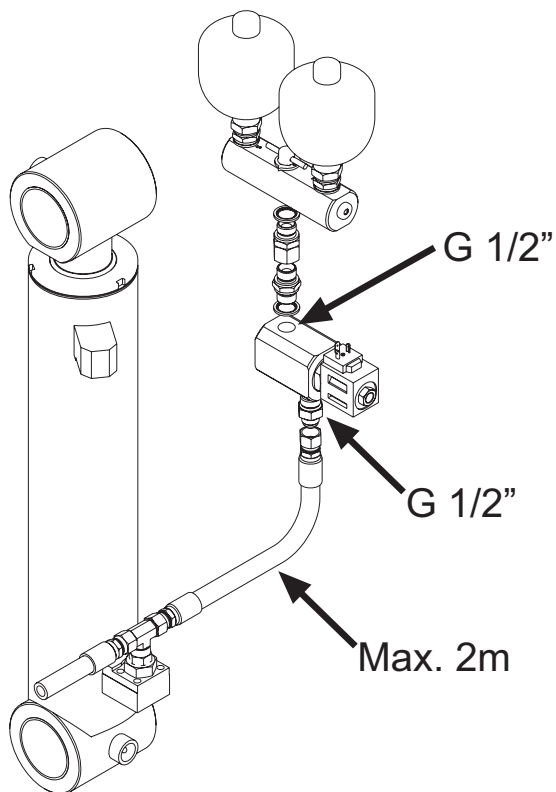


Recommended location

The brackets and clamps supplied in the kit makes it possible to install the damper under one of the slewing cylinders on the crane.

Auxiliary equipment

Installation of electrical shut-off valve



Description

The electrical shut-off valve is especially designed to be used together with Hultdins Damping system. The valve reduces the pressure peaks that normally are developed in the hydraulic system when turning the damper on and off.

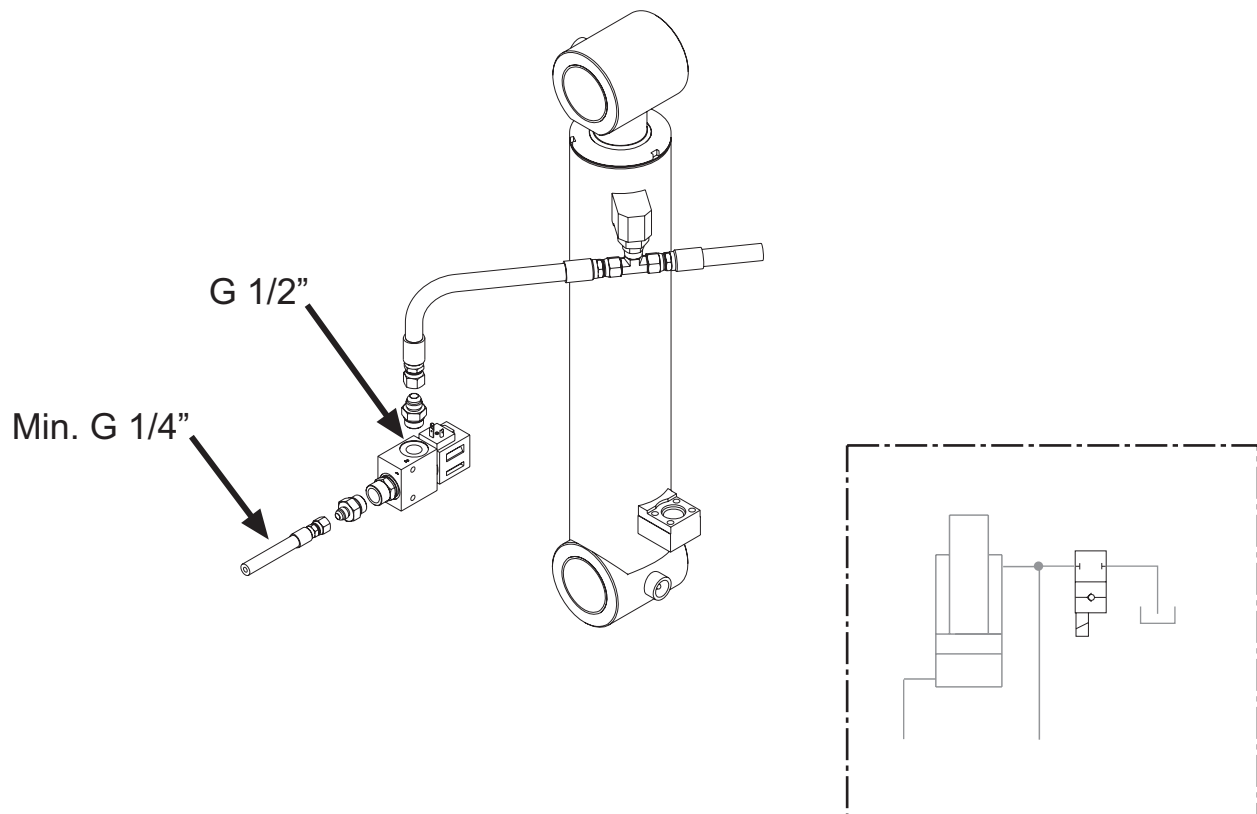
Installation

The valve is installed between the damper and the hydraulic cylinder. - It is preferable installed directly to the damper.

The shut-off valve should though be placed so that the total hose length between the damper and the hydraulic cylinder are shorter than 2 metres.

Auxiliary equipment

Installation of electrical float-position valve



Description

The electrical float position valve is especially designed to be used together with Hultdins Damping system. The valve evacuates the pressure on the rod side of the hydraulic cylinder and improves thereby the function of the damping equipment

Installation

The float position valve is installed with a T-adaptor between the rod-side of the hydraulic cylinder and the return/tank line of the hydraulic system.

HULTDINS Damping System



0105-7000062-EN

Hultdin System AB
Skolgatan 12, SE-930 70 MALÅ, Sweden
Tel +46 953 418 00, Fax +46 953 418 01
E-mail: sales@hultdins.se