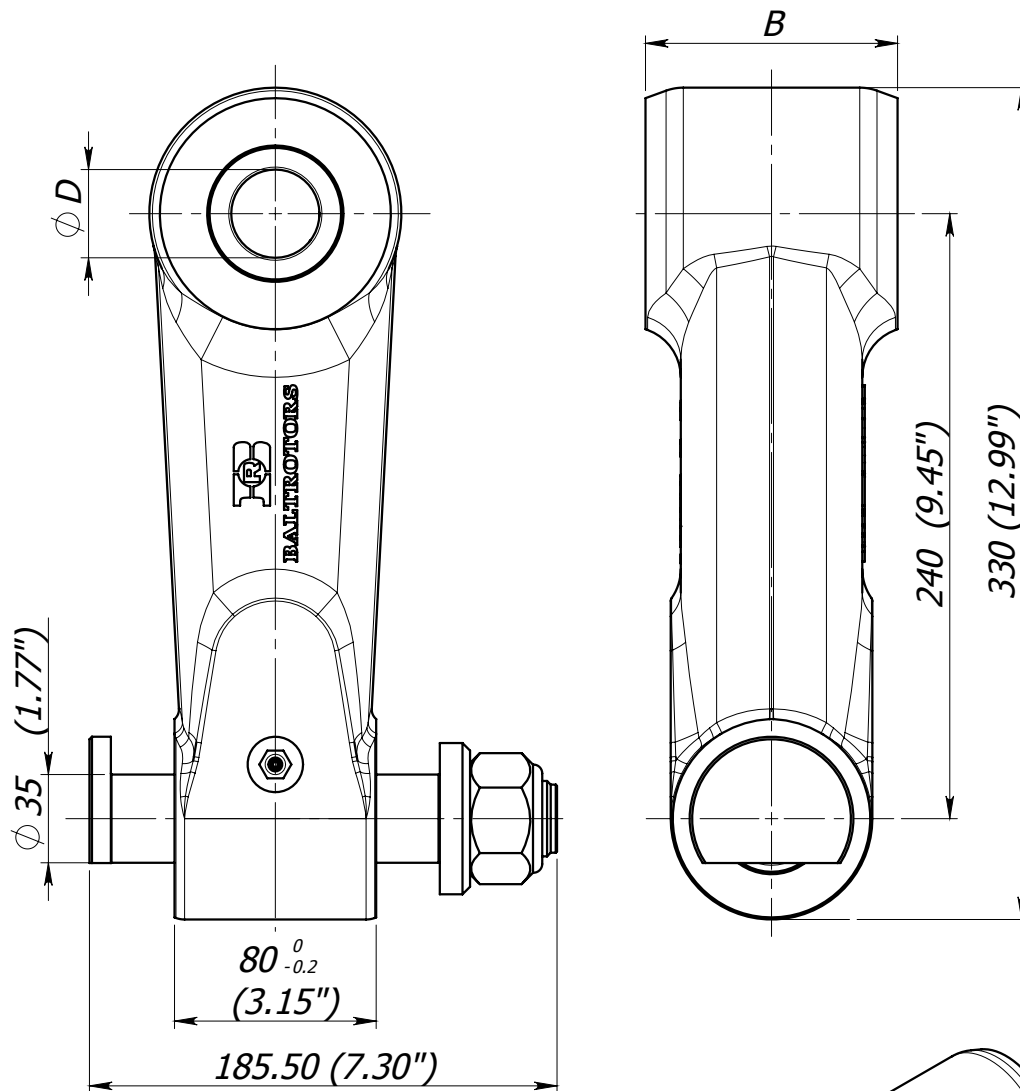
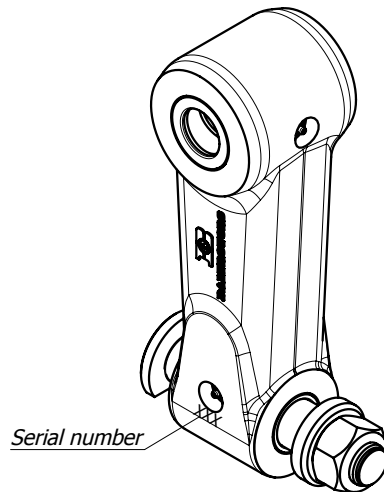


LINK BR 2



Dimensions	
Crane nose pivot pin diameter ϕD (mm)	Link width B (mm)
	$80^{0}_{-0.2}$ (3.15")
45 (1.77")	BR 2/45
40 (1.57")	BR 2/40
35 (1.38")	BR 2/35
30 (1.18")	BR 2/30



* Pin locking nut is tightened with a torque of 120 Nm (89 lb ft)

* Weight - 16.5±1 kg (36.37±2.20 lb)

* Fill grease Starplex EP 2, through lubricating nipple (pos. 7), until it will appear to the external surfaces. Greasing must be repeated after every 8 working hours of the link.

2013.02.22.